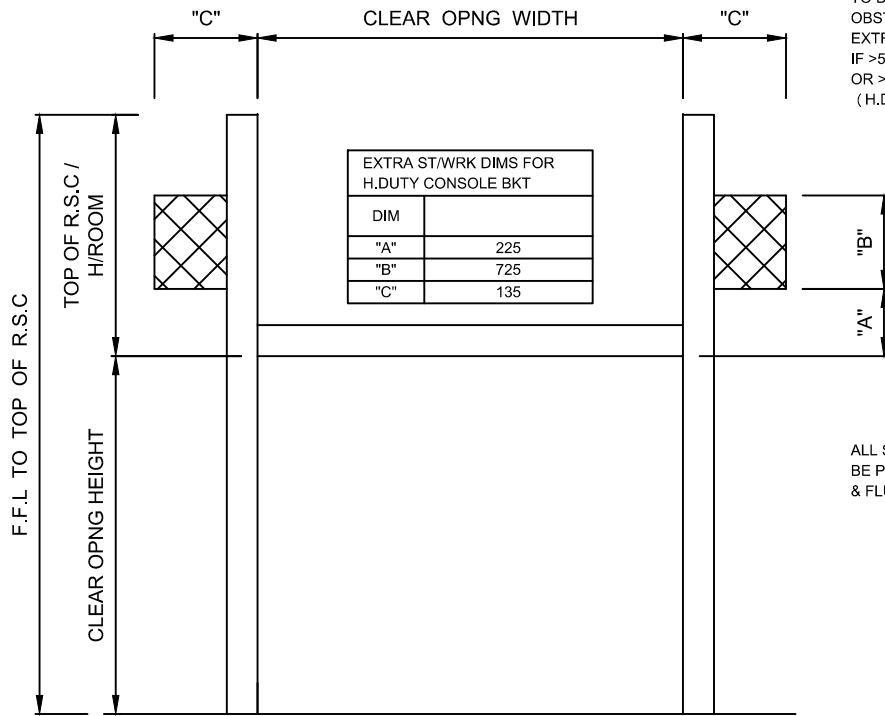


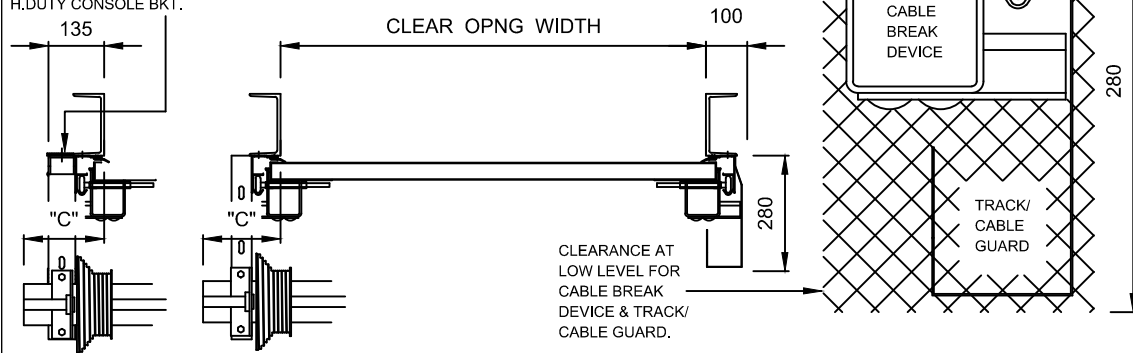
SHADED AREAS-
TO BE KEPT FREE FROM
OBSTRUCTIONS.
EXTRA ST/WRK REQ'D
IF >5000MM WIDE
OR > 25 Msq
(H.DUTY CONSOLE BKT).

ALL ST/WRK MUST
BE PLUMB VERTICAL
& FLUSH.

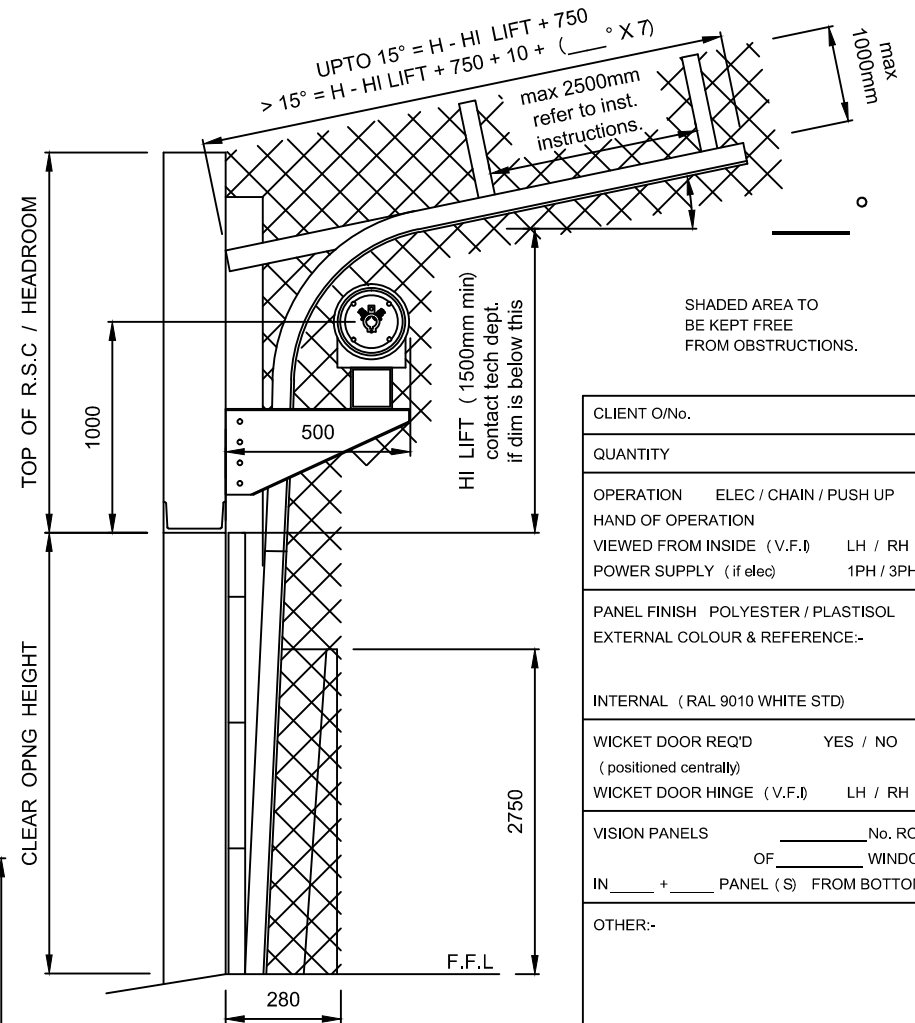


AREAS TO BE KEPT FREE FROM OBSTRUCTIONS				
DIM	STANDARD CONSOLE		H.DUTY CONSOLE	
	MOTOR SIDE	NON MOTOR SIDE	MOTOR SIDE	NON MOTOR SIDE
"A"	475	475	225	225
"B"	690	690	940	940
"C"	350	175	350	175

EXTRA ST/WRK REQ'D
IF >5000MM WIDE
OR > 25 Msq.
H.DUTY CONSOLE BKT.



CLEARANCE AT
LOW LEVEL FOR
CABLE BREAK
DEVICE & TRACK/
CABLE GUARD.




SHADED AREA TO
BE KEPT FREE
FROM OBSTRUCTIONS.

CLIENT O/No.	
QUANTITY	
OPERATION	ELEC / CHAIN / PUSH UP
HAND OF OPERATION	
VIEWED FROM INSIDE (V.F.I)	LH / RH
POWER SUPPLY (if elec)	1PH / 3PH
PANEL FINISH POLYESTER / PLASTISOL	
EXTERNAL COLOUR & REFERENCE:-	
INTERNAL (RAL 9010 WHITE STD)	
WICKET DOOR REQ'D	YES / NO
(positioned centrally)	
WICKET DOOR HINGE (V.F.I)	LH / RH
VISION PANELS	_____ No. ROWS
OF _____ WINDOWS	
IN _____ + _____ PANEL (S) FROM BOTTOM	
OTHER:-	

THE INTERNAL THRESHOLD SHOULD BE SMOOTH & LEVEL.
IT IS ADVISED THAT THE EXTERNAL THRESHOLD SLOPES
AWAY FROM THE OPENING TO HELP PREVENT WATER INGRESS.

All dimensions in mm, unless specified. Tolerance + or - 5mm.
All dimensions are based on Kingpost standard 40mm track panels
& standard 51mm (2) track.

	CLIENT / SITE :		
	DESCRIPTION : INSTALLATION CLEARANCES - HIGH LIFT TRACKS c/w CONSOLES & TRACK PITCH - 40mm PANEL		
	DATE :	DWG NO.	REV
DRAWN BY :	J.E	SHEET	INSTALL 4 C
			©indupart 2012