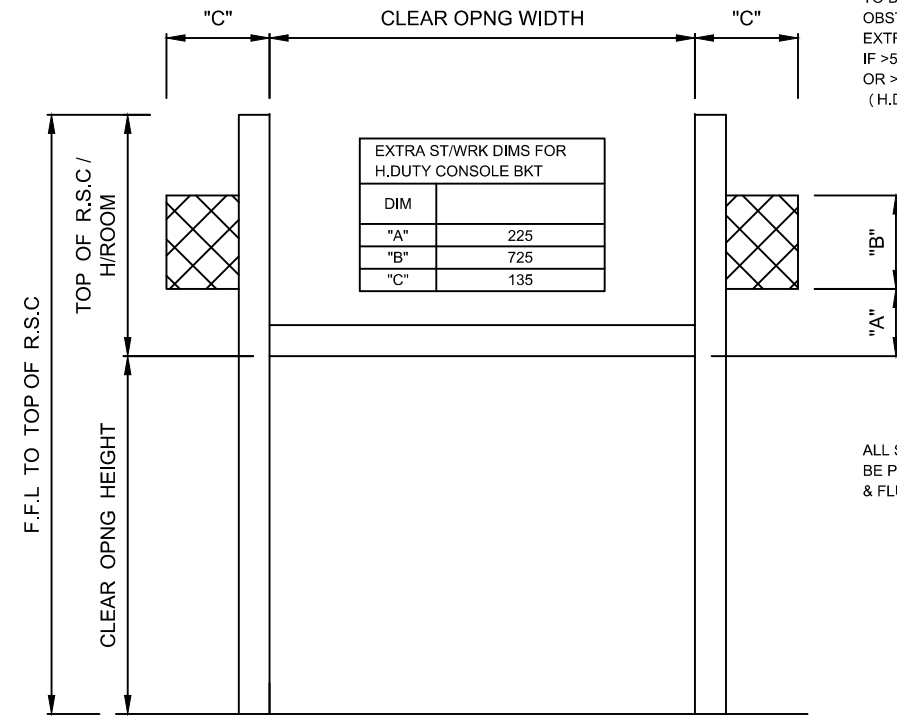


SHADED AREAS-
TO BE KEPT FREE FROM
OBSTRUCTIONS.
EXTRA ST/WRK REQ'D
IF >5000MM WIDE
OR > 25 Msq
(H.DUTY CONSOLE BKT).

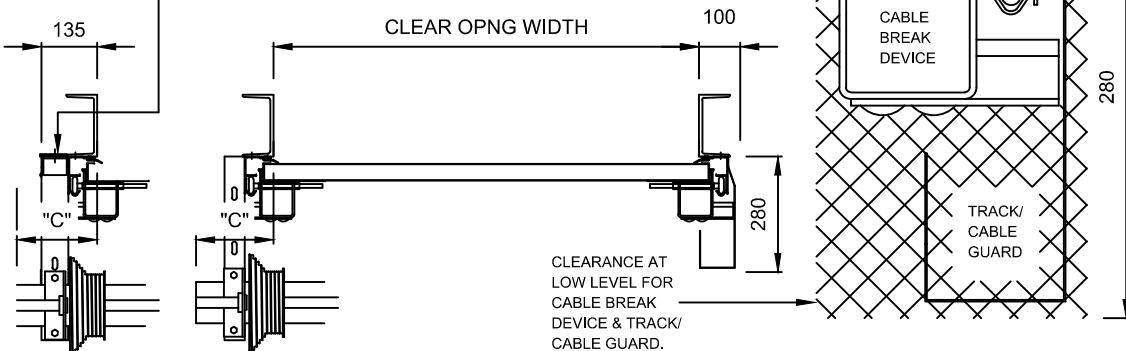
ALL ST/WRK MUST
BE PLUMB VERTICAL
& FLUSH.



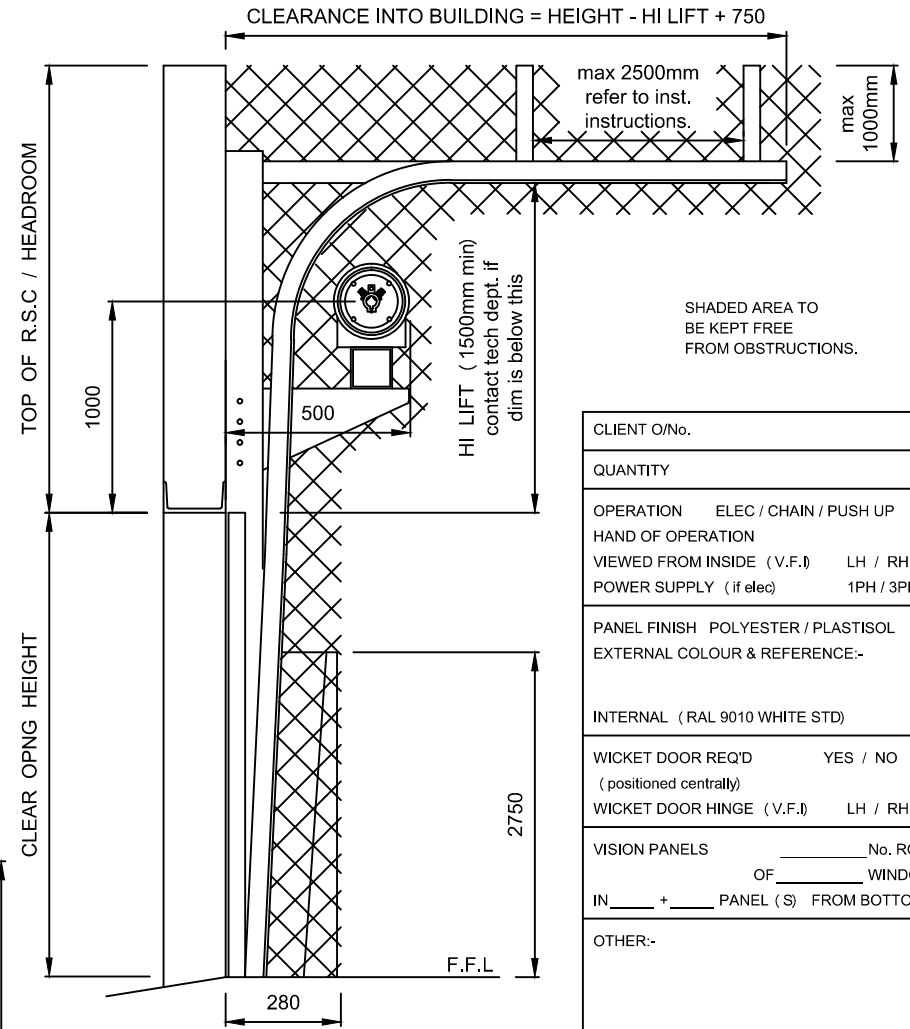
EXTRA ST/WRK DIMS FOR H.DUTY CONSOLE BKT	
DIM	
"A"	225
"B"	725
"C"	135

AREAS TO BE KEPT FREE FROM OBSTRUCTIONS				
DIM	STANDARD CONSOLE		H.DUTY CONSOLE	
	MOTOR SIDE	NON MOTOR SIDE	MOTOR SIDE	NON MOTOR SIDE
"A"	475	475	225	225
"B"	690	690	940	940
"C"	350	175	350	175

EXTRA ST/WRK REQ'D
IF >5000MM WIDE
OR > 25 Msq.
H.DUTY CONSOLE BKT.



CLEARANCE AT
LOW LEVEL FOR
CABLE BREAK
DEVICE & TRACK/
CABLE GUARD.



THE INTERNAL THRESHOLD SHOULD BE SMOOTH & LEVEL.
IT IS ADVISED THAT THE EXTERNAL THRESHOLD SLOPES
AWAY FROM THE OPENING TO HELP PREVENT WATER INGRESS.

CLIENT O/No.	
QUANTITY	
OPERATION	ELEC / CHAIN / PUSH UP
HAND OF OPERATION	
VIEWED FROM INSIDE (V.F.I)	LH / RH
POWER SUPPLY (if elec)	1PH / 3PH
PANEL FINISH POLYESTER / PLASTISOL	
EXTERNAL COLOUR & REFERENCE:-	
INTERNAL (RAL 9010 WHITE STD)	
WICKET DOOR REQ'D	YES / NO
(positioned centrally)	
WICKET DOOR HINGE (V.F.I)	LH / RH
VISION PANELS	_____ No. ROWS
	OF _____ WINDOWS
IN _____ + _____ PANEL (S)	FROM BOTTOM
OTHER:-	

All dimensions in mm, unless specified. Tolerance + or - 5mm.
All dimensions are based on Kingspan standard 40mm thick panels
& standard 51mm (2") track.

	CLIENT / SITE :		
	DESCRIPTION : INSTALLATION CLEARANCES - HIGH LIFT TRACKS c/w CONSOLES - 40mm THICK PANEL		
	DATE :	DWG NO. INSTALL 3	REV C
DRAWN BY :	J.E	SHEET	©indupart 2012