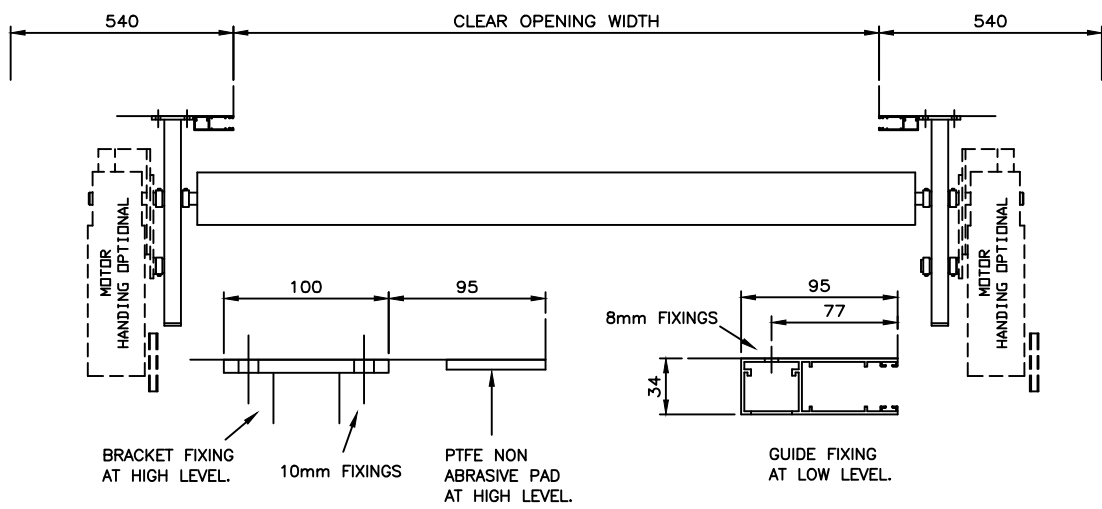
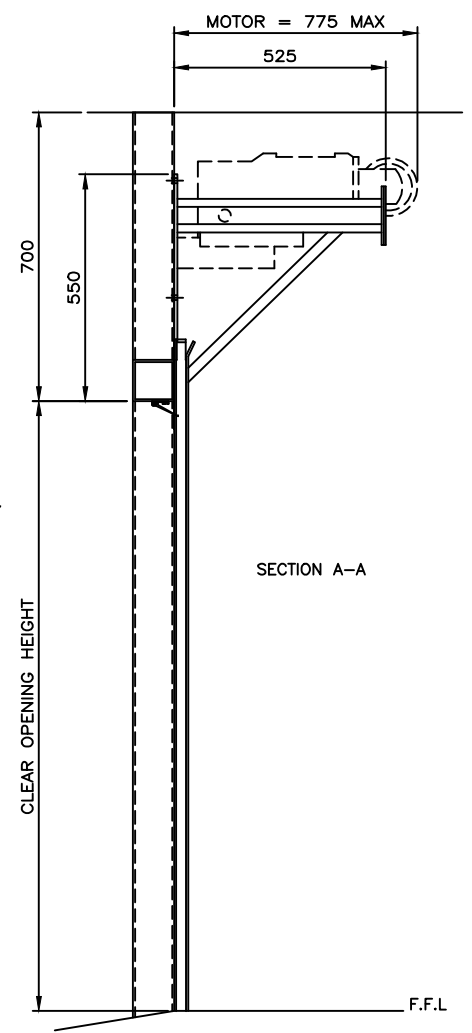


BARREL END BRACKETS ARE FITTED SEPERATELY FROM GUIDE CHANNELS THEREFORE REQUIRE EXTRA STEEL WORK.



THE INTERNAL THRESHOLD SHOULD BE SMOOTH & LEVEL. IT IS ADVISED THAT THE EXTERNAL THRESHOLD SLOPES AWAY FROM THE OPENING TO HELP PREVENT WATER INGRESS.

CLIENT O/No.	
QUANTITY	
ELECTRIC OPERATION. HAND OF OPERATION VIEWED FROM INSIDE (V.F.I) LH / RH POWER SUPPLY (if elec) 1PH / 3PH	
CURTAIN LATH COLOUR (TICK APPLICABLE ):-	
GALVANISED	
WHITE	
POPPY RED	
OCEAN BLUE	
OLIVE GREEN	
GOOSEWING GREY	
MERLIN GREY	
VAN DYKE BROWN	
SOLENT BLUE	
SARGASSO	
JUNIPER GREEN	
BLACK	
VISION LATH - (SLOTTED FULL LENGTH ) FINISH:- ALUMINIUM P/COATED RAL9006. ___No. ROWS OF VISION LATH APPROX _____mm FROM F.F.L.	
OTHER:-	
MAXIMUM SIZES (PARAMETERS):- MAX CLEAR AREA = 16Msq. MAX CLEAR WIDTH = 6000mm. MAX CLEAR HEIGHT = 6000mm. All dimensions in mm, unless specified. Tolerance + or - 5mm.	

	CLIENT / SITE :		
	DESCRIPTION : GENERIC STEEL WORK DETAILS FOR INSULATED ROLLER SHUTTER DOOR		
	DATE :	DWG NO. INSTALL IRSD 01	REV -
DRAWN BY : --		SHEET	© indupart 2015