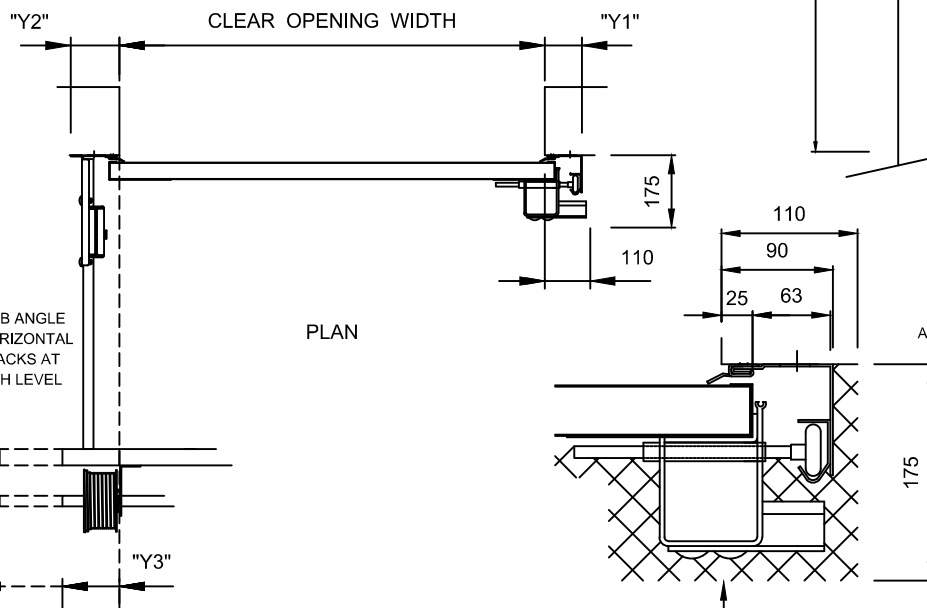


VIEW FROM INSIDE

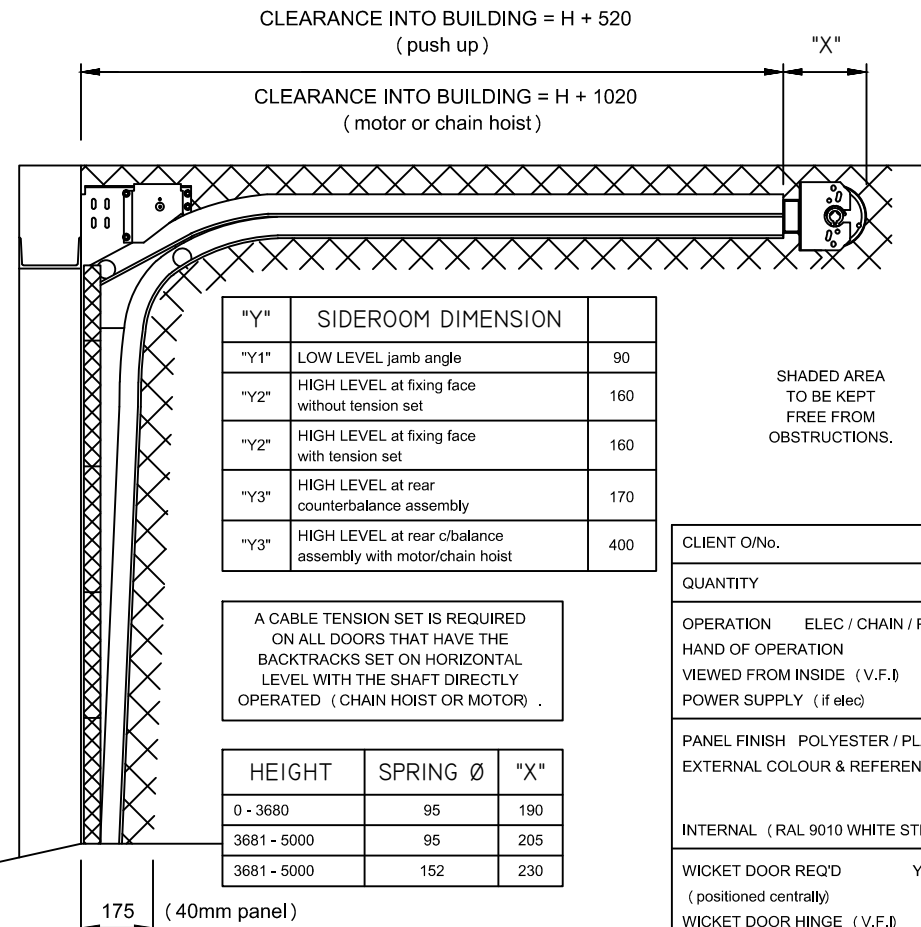
ALL ST/WRK MUST BE PLUMB VERTICAL & FLUSH.



PLAN

All dimensions in mm, unless specified. Tolerance + or - 5mm.
 All dimensions are based on Kingspan standard 40mm thick panels & standard 51mm (2") track.

CLEARANCE AT LOW LEVEL FOR JAMB ANGLE & CABLE BREAK DEVICE.



"Y"	SIDEROOM DIMENSION	
"Y1"	LOW LEVEL jamb angle	90
"Y2"	HIGH LEVEL at fixing face without tension set	160
"Y2"	HIGH LEVEL at fixing face with tension set	160
"Y3"	HIGH LEVEL at rear counterbalance assembly	170
"Y3"	HIGH LEVEL at rear c/balance assembly with motor/chain hoist	400

SHADED AREA TO BE KEPT FREE FROM OBSTRUCTIONS.

A CABLE TENSION SET IS REQUIRED ON ALL DOORS THAT HAVE THE BACKTRACKS SET ON HORIZONTAL LEVEL WITH THE SHAFT DIRECTLY OPERATED (CHAIN HOIST OR MOTOR).

HEIGHT	SPRING Ø	"X"
0 - 3680	95	190
3681 - 5000	95	205
3681 - 5000	152	230

THE INTERNAL THRESHOLD SHOULD BE SMOOTH & LEVEL. IT IS ADVISED THAT THE EXTERNAL THRESHOLD SLOPES AWAY FROM THE OPENING TO HELP PREVENT WATER INGRESS.

CLIENT O/No.	
QUANTITY	
OPERATION	ELEC / CHAIN / PUSH UP
HAND OF OPERATION	LH / RH
VIEWED FROM INSIDE (V.F.I)	LH / RH
POWER SUPPLY (if elec)	1PH / 3PH
PANEL FINISH POLYESTER / PLASTISOL	
EXTERNAL COLOUR & REFERENCE:-	
INTERNAL (RAL 9010 WHITE STD)	
WICKET DOOR REQ'D	YES / NO
(positioned centrally)	
WICKET DOOR HINGE (V.F.I)	LH / RH
VISION PANELS	_____ No. ROWS
	OF _____ WINDOWS
IN _____ + _____ PANEL (S)	FROM BOTTOM
OTHER:-	

	INSTALLATION CLEARANCES LOW HEADROOM TRACK INBOARD CABLES MAX WIDTH = 5000mm. MAX HEIGHT = 5000mm. MAX WEIGHT = 300Kg.		
	indupart	DATE : _____ DRAWN BY : J.E	DWG NO. _____ SHEET _____ INSTALL 5/4
©indupart 2014			