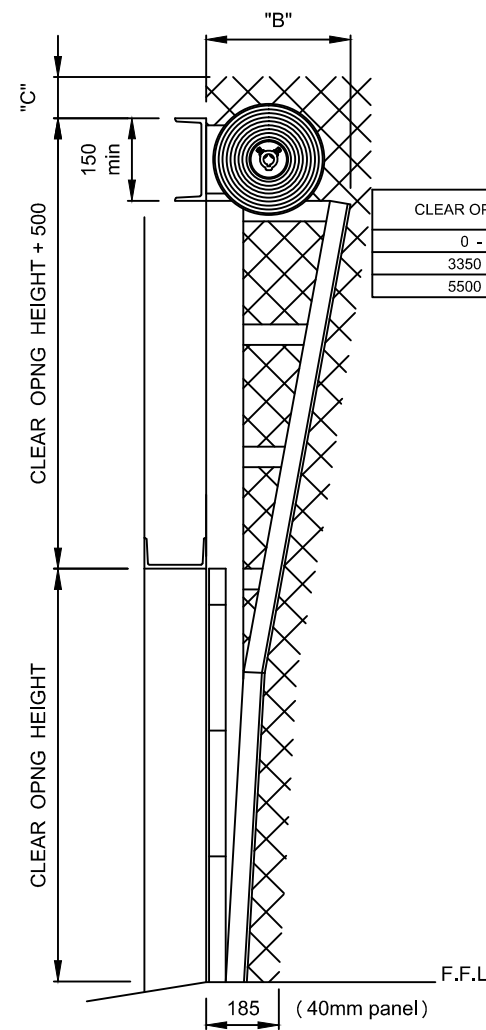
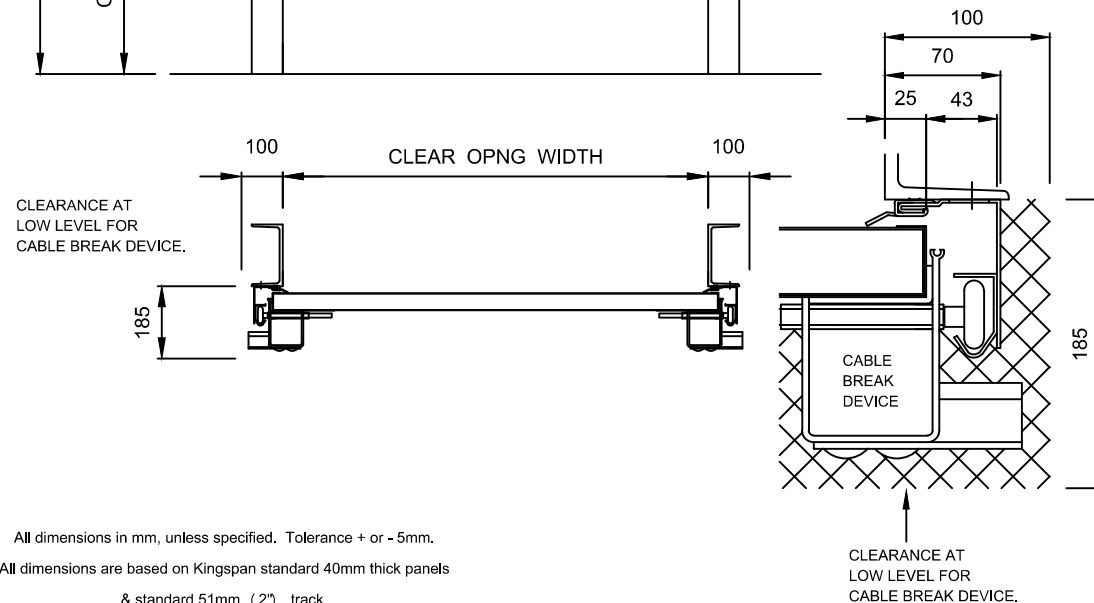


AREAS TO BE KEPT FREE FROM OBSTRUCTIONS		
DIM	MOTOR SIDE	NON MOTOR SIDE
"A"	350	175

EXTRA ST/WRK DIMS FOR MOTOR / CHAIN HOIST	
DIM	
"A"	250



CLEAR OPNG HEIGHT	DIMENSION "B"	DIMENSION "C"
0 - 3350	280	75
3350 - 5500	350	95
5500 - 6000	530	150

CLIENT O/No.	
QUANTITY	
OPERATION	ELEC / CHAIN / PUSH UP
HAND OF OPERATION	
VIEWED FROM INSIDE (V.F.I)	LH / RH
POWER SUPPLY (if elec)	1PH / 3PH
PANEL FINISH POLYESTER / PLASTISOL	
EXTERNAL COLOUR & REFERENCE:-	
INTERNAL (RAL 9010 WHITE STD)	
WICKET DOOR REQ'D	YES / NO
(positioned centrally)	
WICKET DOOR HINGE (V.F.I)	LH / RH
VISION PANELS	_____ No. ROWS
	OF _____ WINDOWS
IN _____ + _____ PANEL (S) FROM BOTTOM	
OTHER:-	

THE INTERNAL THRESHOLD SHOULD BE SMOOTH & LEVEL. IT IS ADVISED THAT THE EXTERNAL THRESHOLD SLOPES AWAY FROM THE OPENING TO HELP PREVENT WATER INGRESS.

	CLIENT / SITE :		
	DESCRIPTION : INSTALLATION CLEARANCES VERTICAL LIFT TRACKS - 40mm THICK PANEL		
	DATE :	DWG NO. INSTALL 8	REV C
DRAWN BY :		SHEET	© Indupart 2014